

ATS™ LINE GENERATOR SWITCHES



ATS 301
For 30-amp, 120-volt
electrical systems



ATS 501
For 50-amp,
120/240-volt
electrical systems

Safe, Convenient Power Transfer Between Shoreline and Generator. Engineered for Superior Reliability.

ATS™ Line Generator Switches are the most trusted ways to transfer power between shoreline and RV generator. With a flick of the generator switch, ATS models transfer power smoothly regardless of line voltage conditions. RVers do not have to handle plugs and electrical cords in order to transfer power. ATS safety and convenience are especially beneficial during storms. Parallax offers ATS Line Generator Switches specifically designed for 30-amp, 120-volt electrical systems and 50-amp, 120/240-volt electrical systems. Both models feature electronics that are quality-engineered for reliability and performance.

ATS 301 can be used as deck-mount or mounted directly to Parallax Power Centers.

ATS 301, for 30-amp, 120-volt systems, can be mounted anywhere and hook-up is simple through the use of terminals rather than wire nuts. The compact size measures 6" x 4-1/8" x 4-7/16", and simple removal of the base plate converts the unit from deck-mount to a direct-mount onto the back of Parallax Power Centers.

ATS 301 is constructed with a rugged steel housing, yet weighs only 3.5 pounds. Features include cutting-edge printed circuit board design, electronic generator time delay, and chatter-free contact operation under low line voltage conditions. Parallax' attention to detail provides efficient energy transfer and long product life.

ATS 501 sets new standards for 50-amp reliability, ease of installation, and diagnostics for field use.

ATS 501 is listed to UL Standard 1008 for 50-amp transfer switches, superceding the previous UL Standard 508. The printed circuit board design was developed and proven through extensive cycle testing, demonstrating the product's ability to withstand heat and torque. Field reliability is further enhanced by innovative diagnostics and controls. A fault indicator light provides easy trouble shooting, and a manual shut-off for the time delay feature optimizes operation when an inverter is used as the secondary power source. The product's low-profile chassis — measuring 3-1/2" high — allows mounting in locations not possible with other 50-amp transfer switches. Installation can be performed without cover removal. The unit is also lightweight, weighing 7 pounds.

Specifications on back.



A division of Connecticut Electric

Power Sense



THE NEXT GENERATION
OF RV POWER

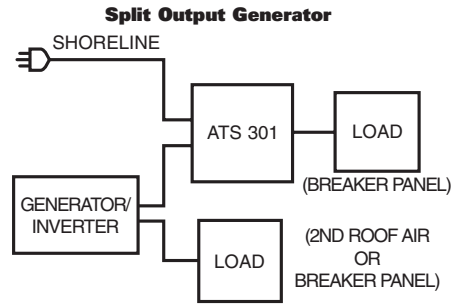
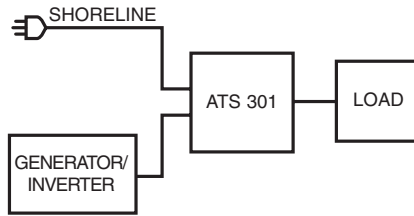


**ETL Listed
Conforms to
UL Std. 1008
CSA C22.2#178*AEI**

Typical Installations: ATS™ 301



**Safe,
Convenient
Power Transfer**



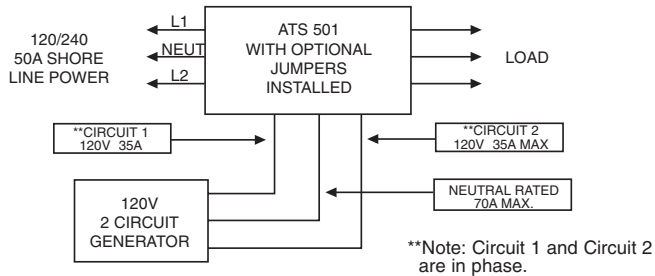
**Quality-
Engineered
Electronics**

Typical Installations: ATS™ 501

Installation for neutral rated 70 amp capability with "in phase" generators (optional jumpers installed).

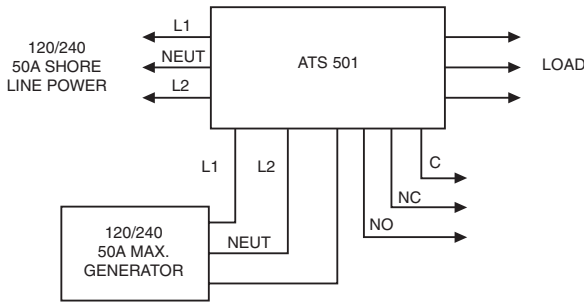


**Two-Year
Warranty**



**Simple, Versatile
Installations**

Installation for 120/240 Volt 50A Max. Generators



- Maximum generator: 12 KW • Enclosure: UL Type 1 - 16 GA Steel • Not ignition protected.
- Note: Rated for 50 amperes per leg L1, L2 with 70 ampere neutral when L1 and L2 are in phase (optional jumpers must be installed for this application).

ATS™ Line Generator Switches Specifications

Model Number	Item Description	AC Rating	Dimensions			Weight	UPC No.
			Height	Width	Depth		
ATS 301*	Line Generator Switch	120 volts/30 amps	6"	4-1/8"	4-7/16"	3.5 lbs.	1-80347-00095-3
*ATS 301 replaces the ATS Option "A" as an add-on to Parallax/MagneTek 6300, 7100, and 7300 Series Power Centers.							
ATS 501	Line Generator Switch	120/240 volts 50 amps	3-1/2"	8-3/4"	11-3/4"	7 lbs.	8-94714-00110-7

Specifications subject to change without notice.



A division of Connecticut Electric

Sales Office
100 W. 11th Street Suite 100
Anderson, IN 46016
800-443-4859 • Fax 765-608-5235
www.parallaxpower.com

**The Power To Bring
People & Places
Together.**